

AIRFLOW

STATION

INSTRUCTIONS FOR USE

Table of contents →






1. BEFORE USE.....	2	4. CLEANING & DISINFECTION.....	10
1.1. INTENDED USE	3	4.1. GENERAL CLEANING	10
1.2. INTENDED USER	3	5. MAINTENANCE & TROUBLESHOOTING	10
1.3. CONTRAINDICATIONS	3	5.1. TROUBLESHOOTING	10
1.4. GENERAL PRECAUTIONS.....	3	5.2. TO CONTACT EMS SERVICE SUPPORT	10
1.5. COMPATIBILITY	4	6. SUSTAINABILITY.....	11
2. INSTALLATION	5	6.1. DISPOSAL OF WASTE PARTS.....	11
2.1. EQUIPMENT INCLUDED IN THE BOX	5	6.2. SUSTAINABLE DESIGN	11
2.2. STEP-BY-STEP CART ASSEMBLY	6	7. WARRANTY.....	11
2.3. STEP-BY-STEP DEVICE INSTALLATION	7	8. TECHNICAL DESCRIPTION	12
3. DEVICE USE	9	8.1. SYMBOLS	12
3.1. INTERFACES	9		
3.2. PREPARATION BEFORE FIRST USE	9		

1. BEFORE USE

CONGRATULATIONS!

You are now the owner of this new EMS device!

Please read the instructions carefully before use →

-  DO NOT modify this equipment and/or any of its accessories. No modification of any part of this medical device is allowed.
-  If any serious incident occurs that is directly or indirectly related to the device, report it immediately to the manufacturer and to the competent authority of your country and of where the patient is established (if different).
-  Turn off the water inlet when not in use. The device is not equipped with Aquastop and the EG-110 water hose may disconnect or leak: risk of flooding.

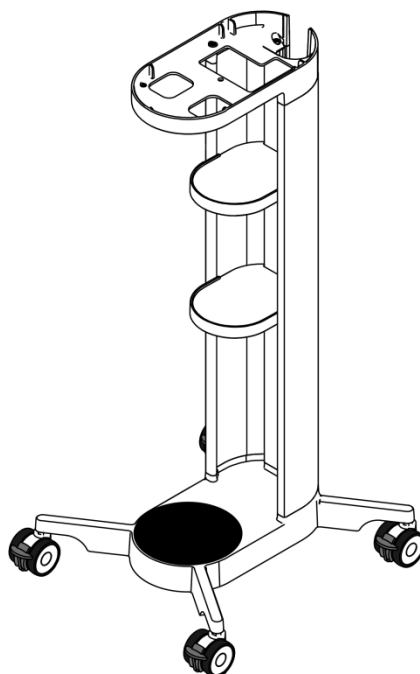


- The instructions for use of the device are provided in electronic format. However, if you want a hard copy, you can request one free of charge on our website, by telephone or in writing, and receive it within 7 days.
- The instructions for use for the **AIRFLOW[®] Station** are available for download in PDF format at <http://www.ems-instructions.com> using the Product/Key Code DW-048B. A PDF reader is required and, in case of need, it can be downloaded from the same web site.
- It is essential to first read and understand all the instructions for use before operating the device and using the related accessories.
- We recommend that you visit our website regularly to consult and/or download the latest version of the instructions for use of your device at <http://www.myems.dental>
- Please contact EMS technical support or your local EMS representative for further information and support.
- Always keep this documentation close at hand.

The **AIRFLOW[®] Station** instructions for use are supplementary to FB-618 for the AIRFLOW Prophylaxis Master and FB-621 for the AIRFLOW[®] One. The instructions for use for the AIRFLOW[®] Prophylaxis Master and AIRFLOW[®] One are available for download in PDF format at <http://www.myems.dental> using the Product/Key Code FT-229 and FT-230 respectively.

AIRFLOW[®] Station

DW-048B



1.1. Intended Use

The AIRFLOW[®] Station is intended to be used only for the retention of the EMS AIRFLOW[®] Prophylaxis Master or the EMS AIRFLOW[®] One.

1.2. Intended User

Refer to intended user as qualified in the Instructions for Use for the EMS AIRFLOW[®] Prophylaxis Master or the EMS AIRFLOW[®] One units.

1.3. Contraindications

The use of the AIRFLOW[®] Station does not add any additional contraindications to those stated in the Instructions for Use for the EMS AIRFLOW[®] Prophylaxis Master or the EMS AIRFLOW[®] One units.

1.4. General Precautions

- ⚠** DO NOT sit or step on the device.
- ⚠** DO NOT place a load on the device greater than 10kg

1.5. Compatibility

The following devices and parts combinations are compatible with the AIRFLOW[®] Station but are not provided:



AIRFLOW[®] Prophylaxis
Master (FT-229)

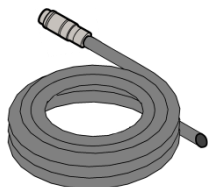


AIRFLOW[®] One
(FT-230)

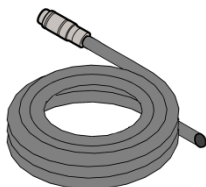


⚠ DO NOT use with other devices than the EMS AIRFLOW[®] Prophylaxis Master (FT-229) or AIRFLOW[®] One (FT-230). This cart (the device) retainer is **NOT** intended to host anything else than these listed compatible devices.

AIR hose
(EH-142)



WATER hose
(EG-110)



Power Cord



⚠ Be aware

The use of cables and accessories other than those supplied by EMS may negatively affect EMC performance. Use only parts supplied by EMS

2. INSTALLATION

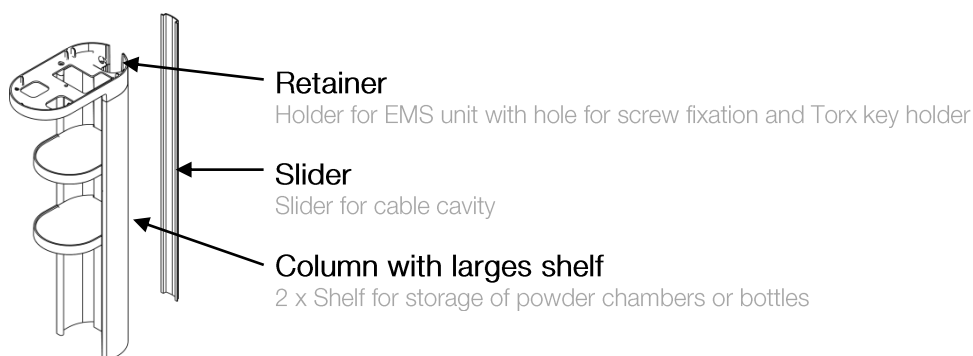
2.1. Equipment included in the box

 Check contents for any damage that may have occurred during transportation.



Assembly Quick Guide

Assembly instructions and provides link to eFU download for FB-639



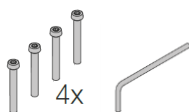
Wheel Base

With wheels and foot grip attached



Cable Tidy

1 x Cable tidy sleeve for containment of air and power cables



Assembly Kit

4x Long Screws – M5 x 40
1 x T20 Torx Key Tool



Hooked Air Connectors

1 x Connector for Air Cable EH-145

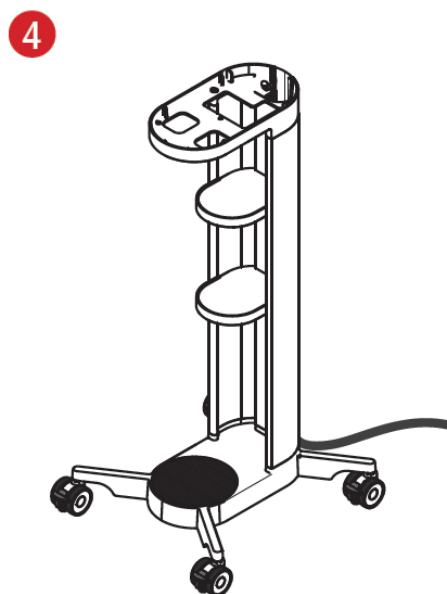
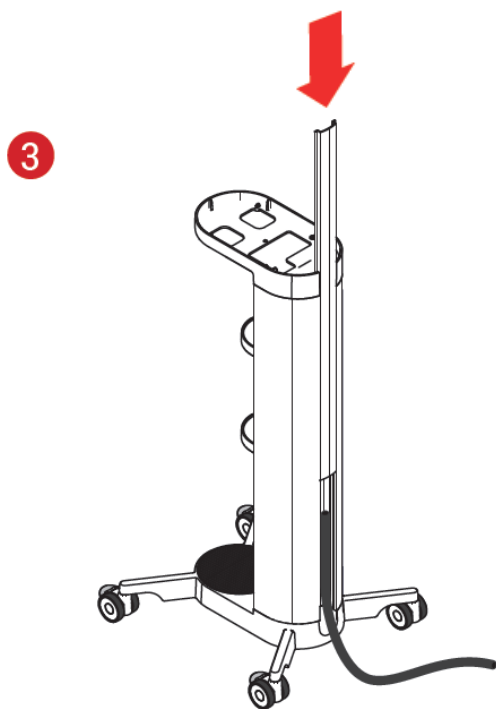
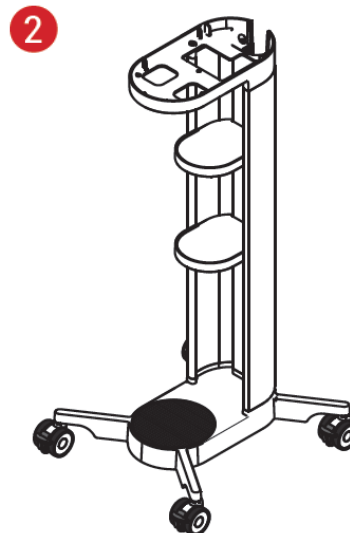
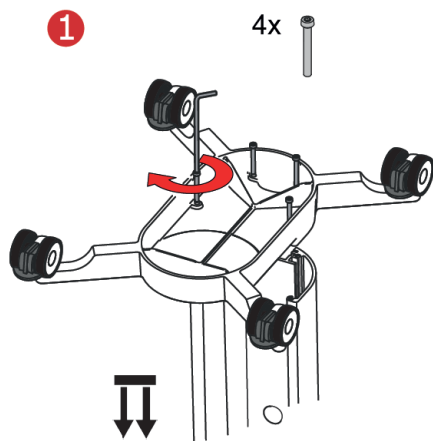


Hooked Water Connectors

1 x Connector to Water Cable EG-124

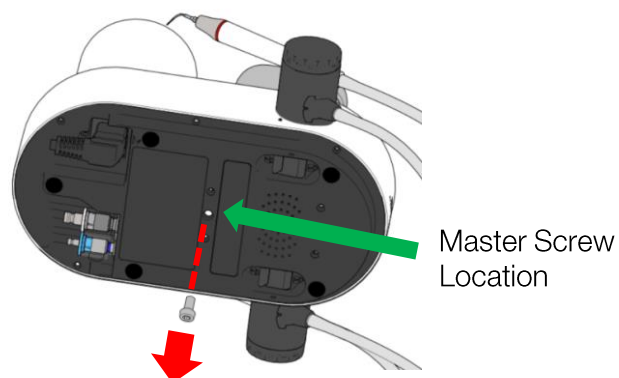
2.2. Step-by-Step Cart Assembly

The device must be placed on a secure and flat surface (with a maximum slope of 5 degrees).

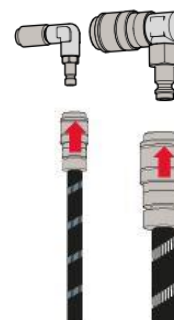


2.3. Step-by-Step Device Installation

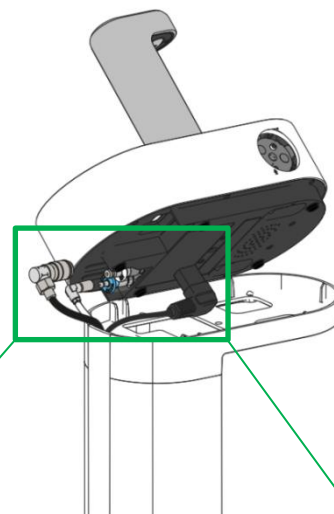
1. Remove the Master screw from your EMS AIRFLOW[®] Prophylaxis Master or AIRFLOW[®] One device. Keep this screw for later fixation to the cart retainer.



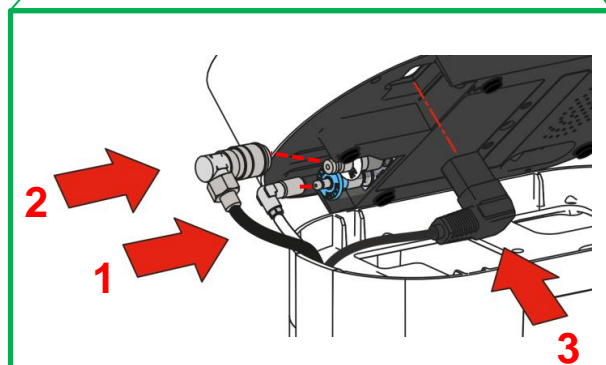
2. Connect the hook connectors for air and water to the corresponding connections of your cables (no provided).



3. Place your EMS AIRFLOW[®] Prophylaxis Master or AIRFLOW[®] One device onto the retainer, and tilt it to reveal the Water, AIR and Power connections.

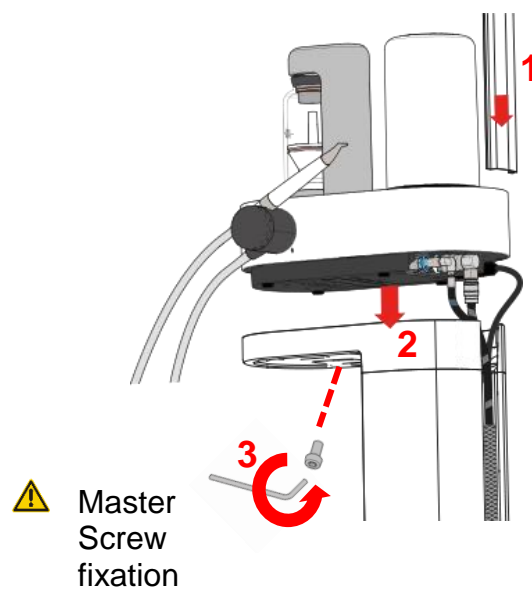


4. Connect the following in sequence:
 1. WATER Connector
 2. AIR Connector
 3. Power Cable

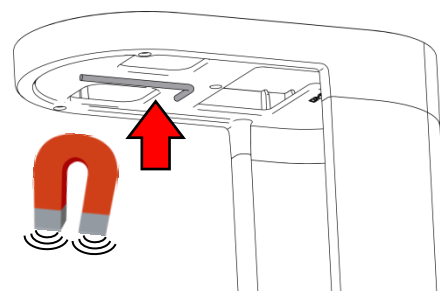


- Using the Master Screw, secure the EMS AIRFLOW[®] Prophylaxis Master or AIRFLOW[®] One device to the Retainer.

! The hooked connectors are required to prevent any kinking of the water and air cables when mounted inside the cart.



- The torx key tool can be stored using the magnets underneath the retainer.



- Install the other end of the Hoses EH-142 and EG-110 in the dental cabinet.

! Be aware :

The use of cables and accessories other than those supplied by EMS may negatively affect EMC performance. Use only parts supplied by EMS.

3. DEVICE USE

! Ensure that the Installation steps are completed before system use to ensure EMS AIRFLOW[®] Prophylaxis Master or the AIRFLOW[®] One device unit cannot be removed without the use of a tool.

3.1. Interfaces

The AIRFLOW[®] Station is design for easy manoeuvrability. The carts allow for 360° movement and have a full 4 wheel braking system.

The storage shelving is designed to contain spare powder chambers, and EMS powder bottles.

! Refer to the instructions for use of the EMS AIRFLOW[®] Prophylaxis Master or the EMS AIRFLOW[®] One units for more information on their usage.



3.2. Preparation Before First Use

! Refer to the Instructions for Use of your EMS AIRFLOW[®] Prophylaxis Master or AIRFLOW[®] One device for any further actions before first patient use.

4. CLEANING & DISINFECTION

4.1. General cleaning

Clean the external surface of the device with a cloth and alcohol

-  Clean the unit only with an alcohol-based (ethanol, isopropanol), colourless disinfectant.
-  Never use scouring powder or an abrasive sponge. It will damage its surface.

5. MAINTENANCE & TROUBLESHOOTING

There is no preventative maintenance required for the AIRFLOW[®] Station.

5.1. Troubleshooting

For general troubleshooting, please refer to the eIFU of your EMS AIRFLOW[®] Prophylaxis Master or AIRFLOW[®] One device due to equivalence in the devices troubleshooting issues.

For any other technical issues please contact your local EMS service support team.

5.2. To contact EMS Service support

E.M.S. Electro Medical Systems S.A.

Ch. de la Vuarpillière 31
1260 Nyon – Switzerland

Phone: +41 (0) 22 99 44 700

Email: TSAV@ems-ch.com

6. SUSTAINABILITY

6.1. Disposal of waste parts



The device must not be discarded in domestic household waste. Should you wish to definitively dispose of the device, please comply with the regulations that apply in your country.



Keep the original packaging until the device is to be disposed of permanently. It can be used for shipping or storing.

6.2. Sustainable design



Most of the device and the packaging cardboards are recyclable.



Printed instructions respect the highest standards in sustainable development as My Climate neutral Imprimerie and FSC certification.

7. WARRANTY











EMS and the distributor of this device accept no liability for direct or consequential injury or damage resulting from improper use, arising in particular through non-observance of the instructions for use, or improper preparation and maintenance.

EMS declines the responsibility for the safety of the device and declares the warranty null and void if service or repair is carried out by an unauthorized third party or if non-genuine spare parts are used.

8. TECHNICAL DESCRIPTION

Manufacturer	EMS ELECTRO MEDICAL SYSTEMS SA, CH-1260 Nyon, Switzerland
Models	AIRFLOW [®] Station, product code DW-048B
Classification EU MDD 93/42/EEC	Not a Medical Device as per EU MDD 93/42/EEC
Essential Performance	No Essential Performance in the meaning of the EU MDD 93/42
Operating mode	Continuous operation
Weight	20kg max. (full operating condition)
Dimensions	Height: 810 mm (without load), Width: 330 mm, Length: 360 mm
Operating conditions	Temperature: 10°C to 35°C Humidity: 30% to 75% Altitude: Max 2000m
Storage conditions	Temperature: -10°C to 30°C, no water inside Humidity: 95% not condensed
Transport conditions	Temperature: -29°C to 38°C, no water inside Humidity: 95% not condensed
Service life	Device: 7 years. No preventive maintenance required.

8.1. Symbols

	General Warning
	Read the operation instructions
	Electronic instructions for use
	Mandatory action
	Do not do.
	Disposal of old electronic equipment (European Union & other countries with separate collection systems)
	Manufacturer
	Manufacturing date
	Serial number
	Catalogue number / Product reference



HEADQUARTERS



CH

NYON, SWITZERLAND
E.M.S. ELECTRO MEDICAL SYSTEMS S.A.

Ch. de la Vuarpillièrre 31
 CH-1260 Nyon
 Tel. +41 22 99 44 700
 Fax +41 22 99 44 701
www.ems-dental.com/en/contact
www.ems-dental.com



WORLDWIDE EMS AFFILIATES

DE

MUNICH, GERMANY
EMS ELECTRO MEDICAL SYSTEMS GMBH

Schatzbogen, 86
 D-81829 Munich
 Tel. +49 89 42 71 61 0
 Fax +49 89 42 71 61 60
info@ems-ch.de

ES

MADRID, SPAIN
EMS ELECTRO MEDICAL SYSTEMS ESPAÑA SLU

c/ Tomás Bretón, 50-52, 2ª planta
 E-28045 Madrid
 Tel. +34 91 528 99 89
info@ems-espana.com

FR

PARIS, FRANCE
EMS ELECTRO MEDICAL SYSTEMS FRANCE SARL

23, avenue Louis Breguet
 Immeuble Santos Dumont, Batiment D
 F-78140 Velizy Villacoublay
 Tel. +33 1 34 58 03 80
 Fax +33 1 34 58 03 90
info@ems-france.fr

IT

MILAN, ITALY
EMS ITALIA S.R.L.

Via Faravelli, 5
 I-20149 Milan
 Tel. +39 02 3453 8111
 Fax +39 02 3453 2778
dental@ems-italia.it

US

DALLAS, USA
EMS ELECTRO MEDICAL SYSTEMS

Corporation
 11886 Greenville Avenue, #120
 Dallas, TX 75243
 Tel. +1 972 690 83 82
 Fax +1 972 690 89 81
info@ems-na.com

CN

SHANGHAI, CHINA
 医迈斯电子医疗系统贸易（上海）有限公司
E.M.S. ELECTRO MEDICAL SYSTEMS TRADING (SHANGHAI) CO., LTD.

24A, No 379, Jin Sui Mansion
 Pudong Nan Road
 Shanghai 200120
 Tel. +862133632323
emschina@ems-ch.com

JP

TOKYO, JAPAN
E.M.S. JAPAN BRANCH OFFICE

501, 73 Kanda Neribeicho Chiyoda-ku
 Tokyo 101-0022 – Japan
 Phone : +81 (0) 3 5207 6795
 Fax : +81 (0) 3 5207 6795
emsjapan@ems-ch.com