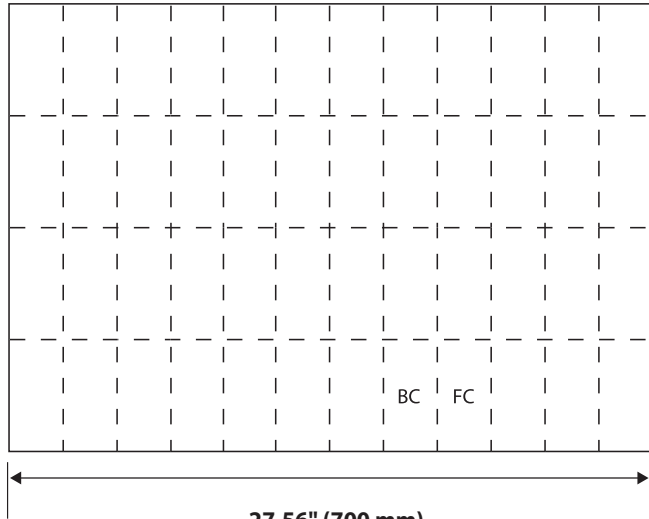


IFU PRINTING SPECIFICATION SHEET

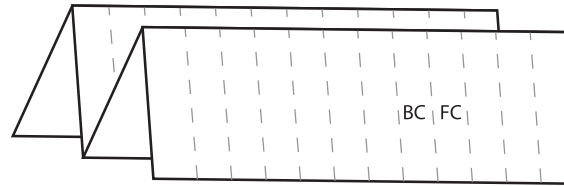
PAGE LAYOUT



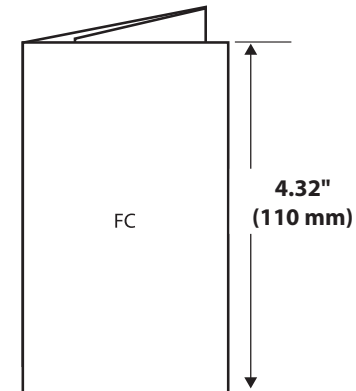
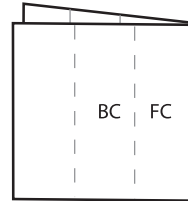
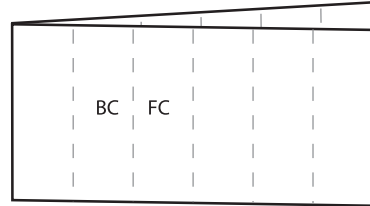
27.56" (700 mm)

Flat Size

FOLD PATTERN



17.28"
(439 mm)



4.32"
(110 mm)

2.3" (58.42 mm)

Folded Size

TITLE VICRYL™ PLUS		DESCRIPTION Map IFU		LAB NUMBER LAB100061830v5	SPECIAL INSTRUCTIONS/COMMENTS n/a	BINDING Folded	COLORS Black				
FLAT SIZE 27.56" x 17.28" 700 mm x 439 mm		FOLDED SIZE 2.3" x 4.32" 58.42 mm x 110 mm		RMC NUMBER 389276R04	PAGE COUNT 2	LANGUAGES ar, bg, cs, da, de, el, en, es, et, fi, fr, hu, it, kk, ko, lt, lv, nl, no, pl, pt, ro, ru, sk, sv, tr, zh-cn, zh-tw		SELF COVER <input checked="" type="checkbox"/>	PLUS COVER <input type="checkbox"/>	SEALING METHOD	WAFER SEAL <input checked="" type="checkbox"/>
BLEED SIZE .5" (12.7 mm) <input type="checkbox"/> .125" (3.175 mm) <input type="checkbox"/>		NONE <input checked="" type="checkbox"/> BLEED ALL SIDES <input type="checkbox"/>		BLEED TOP <input type="checkbox"/>	BLEED RIGHT <input type="checkbox"/>	BLEED LEFT <input type="checkbox"/>	BLEED BOTTOM <input type="checkbox"/>				
STOCK Opakal 50 g/m²					ETHICON						

DRAWING IS NOT TO SCALE: DRAWINGS REFLECT INFORMATION FOR PRODUCTION OF PRINTED PIECES AND DO NOT CONTAIN ACTUAL ARTWORK.
 This document or data herein or herewith is not to be reproduced, used or disclosed in whole or part without the permission of Ethicon, Inc.